

SABINAS LAMP HIGH

By Javier Mariscal



It's inspired by natural fluid shapes, avoiding any straight lines or geometry. Its outline hints at sand dunes, at female curves. This collection goes beyond fulfilling a purpose, or use, but poses a special friendship and attachment with its user. As all collections by this author it adheres to a very formal "mariscalish" code.

View online: <https://www.vondom.com/products/45010A>

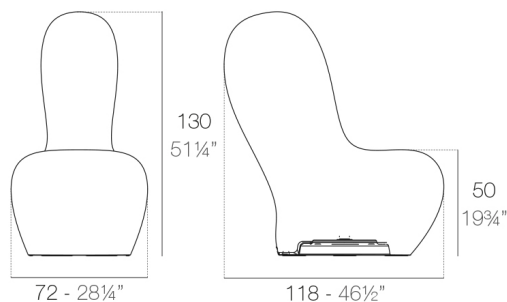
Features

Description

Made of polyethylene resin by rotational moulding. 100% Recyclable. Item suitable for indoor and outdoor use. Available in different finishes.

Weight

15 Kg



SABINAS Lámpara High
Sabinas High Lamp

Finishes

LIGHT

Ref. 45010W

White internally lit unit with LED technology. Available only in matte ice white finish.

RGBW LED

Ref. 45010L

Unit with internal lighting with RGBW LED technology and remote control unit for switching colors. Available only in matte ice white finish. Remote control included.

RGBW LED DMX

Ref. 45010D

Unit with internal lighting with RGBW LED technology and remote control unit for switching colors. Also controlled by DMX-1024

RGBW LED BATTERY

Ref. 45010Y

Unit with internal lighting with battery-powered RGBW LED technology. Includes charger and remote control for switching colors and charger. Available only in matte ice white finish.

RGBW LED DMX BATTERY

Ref. 45010DY

Unit with internal lighting with RGBW LED technology and remote control unit for switching colors. Also controlled by DMX-1024 (wireless), enabling communication between one or more products simultaneously via the DMX transmitter (not included).

(wireless), enabling communication between one or more products simultaneously via the DMX transmitter (not included).

COLOR

ICE

LUZ**LED RGB DMX
BATERIA**